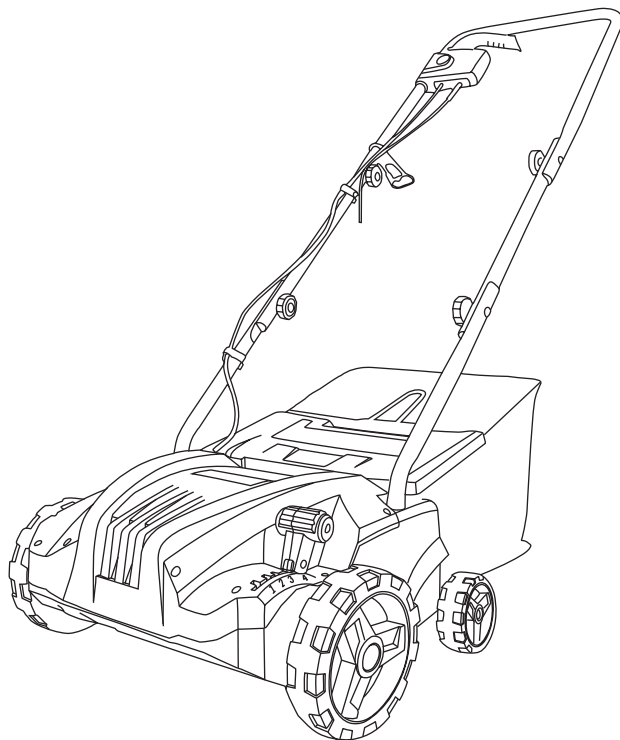


RAKER & SCARIFIER 1500 W



Original Instructions – NMRS1500_GB_V20323

NMRS1500

EAN: 3663602627173 / 3663602627203

MAND1_2223



WARNING: Read the instructions before using the product.

Let's get started...

These instructions are for your safety. Please read through them thoroughly before use and retain them for future reference.



Getting Started...

02

Safety information 03

Your product 09

Before you start 12



In more detail...

19

Product functions 19

Operation 23

Care and maintenance 25

Troubleshooting 28

Recycling and disposal 29

Guarantee 30

Declaration of conformity 33

Safety warnings

Children should be supervised to ensure that they do not play with the product.

Electrically powered raker & scarifier safety warnings



IMPORTANT

Read carefully before use.
Keep for future reference.

Safe operation practices

Training

1. Read the instructions carefully. Be familiar with the controls and the proper use of the machine.
2. Never allow children, persons with reduced physical, sensory or mental capabilities or lack of experience and knowledge or people unfamiliar with these instructions to use the machine. Local regulations can restrict the age of the operator.
3. Keep in mind that the operator or user is responsible for accidents or hazards occurring to other people or their property.

Preparation

1. Wear ear protection and safety glasses at all times while operating the machine.
2. Before use check the supply and extension cord for signs of damage or aging. If the cord becomes damaged during use, disconnect the cord from the supply immediately. **DO NOT TOUCH THE CORD BEFORE DISCONNECTING THE SUPPLY.** Do not use the machine if the cord is damaged or worn.
3. While operating the machine always wear substantial footwear and long trousers. Do not operate the machine when barefoot or wearing open sandals. Avoid wearing clothing that is loose fitting or that has hanging cords or ties.
4. Thoroughly inspect the area where the equipment is to be used and remove all objects which can be thrown by the machine.
5. Operate the machine in a recommended position and only on a firm, level surface.
6. Do not operate the machine on a paved or gravel surface where ejected material could cause injury.
7. Before starting the machine, check that all screws, nuts, bolts, and other fasteners are properly secured and that guards and screens in place. Replace damaged or unreadable labels.
8. Never operate the machine while people, especially children, or pets are nearby.

Operation

1. Operate the machine only in daylight or in good artificial light.
2. Avoid operating the machine in wet grass.
3. Never overreach and keep the balance at all times. Always be sure of your footing at all times, especially on slopes.
4. Walk, never run.
5. Mow across the face of slopes, never up and down.
6. Exercise extreme caution when changing direction on slopes.
7. Do not scarify or aerate excessively steep slopes.
8. Use extreme caution when reversing or pulling the machine towards you.
9. Stop the tines if the machine has to be tilted for transportation when crossing surfaces other than grass, and when transporting the machine to and from the area to be used.
10. Never operate the machine with defective guards or shields, or without safety devices, for example deflectors and/or grass collector, in place, or the cord is damaged or worn.
11. Switch on the motor carefully according to instructions and with feet well away from the tines.
12. Keep supply and extension cord away from tines. The tines can cause damage to the cords and lead to contact with live parts.
13. Do not tilt machine when switching on the motor, except if the machine has to be tilted for starting. In this case, do not tilt it more than absolutely necessary and lift only the part which is away from the operator. Always ensure that both hands are in the operating position before returning the machine to the ground.
14. Do not transport the machine while the power source is running.
15. Do not put hands or feet near or under rotating parts. Keep clear of the discharge opening at all times.
16. Stop the machine, and remove plug from the socket. Make sure that all moving parts have come to a complete stop:
 - whenever you leave the machine,
 - before clearing blockages or unclogging chute,
 - before checking, cleaning or working on the machine,
 - after striking a foreign object. Inspect the machine for damage and make repairs before restarting and operating the machine; if the machine starts to vibrate abnormally (check immediately)
 - inspect for damage,
 - replace or repair any damaged parts,
 - check for and tighten any loose parts.
17. Do not touch moving hazardous parts before the machine is disconnected from the mains and the moving hazardous parts have come to a complete stop.

Maintenance and storage

1. Keep all nuts, bolts and screws tight to be sure the equipment is in safe working condition.
2. Check the debris collector frequently for wear or deterioration.
3. Replace worn or damaged parts for safety.
4. On machines with multiple **time** assemblies, take care as rotating one **time** assembly can cause another **time** assembly to rotate.
5. Be careful during adjustment of the machine to prevent entrapment of the fingers between moving **time** assemblies and fixed parts of the machine.
6. Always allow the machine to cool down before storing.
7. When servicing the **time** assembly be aware that, even though the power source is switched off, the **time** assembly can still be moved.
8. Replace worn or damaged parts for safety. Use only genuine replacement parts and accessories.
9. When the machine is stopped for servicing, inspection, or storage, or to change an accessory, shut off the power source, disconnect the machine from the supply and make sure that all moving parts are come to a complete stop. Allow the machine to cool before making any inspections, adjustments, etc. Maintain the machine with care and keep it clean.
10. Store the machine out of the reach of **children**.

Additional safety warnings



WARNING! Beware of sharp tines. Tines continue to rotate after the motor is switched off.

1. Do not use the product if the cords are damaged or worn.
2. Do not to connect a damaged cord to the supply or touch a damaged cord before it is disconnected from the supply. A damaged cord can lead to contact with live parts.
3. If an extension cord is used, make sure the extension cord is specifically designed for outdoor use and not lighter than H05VV-F or H05RN-F, 2x1.0 mm² and its length max 75 m.

Recommendation for class II products

1. The product should be supplied via a residual current device (RCD) with a tripping current of not more than 30 mA.
2. Avoid using the machine in bad weather conditions especially when there is a risk of lightning.

Vibration and noise reduction

To reduce the impact of noise and vibration emission, limit the time of operation, use low-vibration and lownoise operating modes as well as wear personal protective equipment.

Take the following points into account to minimize the vibration and noise exposure risks:

1. Only use the product as intended by its design and these instructions.
2. Ensure that the product is in good condition and well maintained.
3. Use correct application tools for the product and ensure they in good condition.
4. Keep tight grip on the handles/grip surface.
5. Maintain this product in accordance with these instructions and keep it well lubricated (where appropriate).
6. Plan your work schedule to spread any high vibration tool use across a number of days.

Emergency

Familiarise yourself with the use of this product by means of this instruction manual. Memorise the safety directions and follow them to the letter. This will help to prevent risks and hazards.

1. **Always be alert when using this product, so that you can recognise and handle risks early.** Fast intervention can prevent serious injury and damage to property.
2. **Switch off and disconnect from the power supply if there is any malfunction.** Have the product checked by a qualified specialist and repaired, if necessary, before you put it into operation again.

Residual risks

Even if you are operating this product in accordance with all the safety requirements, potential risks of injury and damage remain. The following dangers can arise in connection with the structure and design of this product:


1. Health defects resulting from vibration emission if the product is being used over long periods of time or not adequately managed and properly maintained.
2. Injuries and damage to property due to broken application tools or the sudden impact of hidden objects during use.
3. Danger of injury and property damage caused by flying objects.



WARNING! This product produces an electromagnetic field during operation! This field may under some circumstances interfere with active or passive medical implants! To reduce the risk of serious or fatal injury, we recommend persons with medical implants to consult their doctor and the medical implant manufacturer before operating this product!

Symbols

On the product, the rating label and within these instructions you will find among others the following symbols and abbreviations. Familiarise yourself with them to reduce hazards like personal injuries and damage to property.

V~	Volt, (alternating voltage)	W	Watt
Hz	Hertz	A	Ampere
kW	Kilowatt	cm ³	Cubic centimetre
/min	per minute	mm	Millimetre
kg	Kilogram	dB(A)	Decibel (A-rated)
m/s ²	Metres per second squared	IPX4	Water protection class:
yyWxx	Manufacturing date code; year of manufacturing (20yy) and week of manufacturing (Wxx)		Caution / Warning.



Read the instruction manual.



Note/Remark.



Wear hearing protection.



Wear eye protection.



Wear respiratory protection.



Wear protective gloves.



Wear safety footwear.



Wear tight-fitted protective clothes.



SWITCH OFF! Remove plug from the mains immediately if the cable is damaged or cut.



Switch the product off and disconnect it from the power supply before assembly, cleaning, adjustments, maintenance, storage and transportation.



Do not use in rain or wet conditions.



Work across the face of slopes, never up and down.



Inspect the area where the product is to be used and remove all objects which could be thrown by the product. If objects are hidden while operating stop the motor and remove them.



WARNING! Beware of sharp tines, keep fingers and toes away. Remove plug from mains before maintenance, adjusting, cleaning or if the cord is entangled or damaged. Tines continue to rotate after the motor is switched off.



Keep supply flexible cord away from tines.



Cutting device continues to rotate after the product is switched off. Wait until all components have completely stopped before touching the product.



Pay special attention when working on the cutting device!



Keep bystanders away. Objects thrown by the product could hit the user or other bystanders. Always ensure that other people and pets remain at a safe distance from the product when it is in operation. In general, children must not come near the area where the product is.



Guaranteed sound power level



This product is of protection class II. That means it is equipped with enhanced or double insulation.



The product complies with the applicable European directives and an evaluation method of conformity for these directives was done.

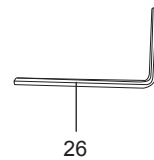
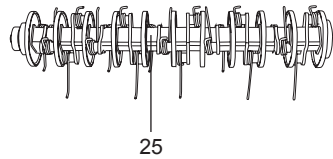
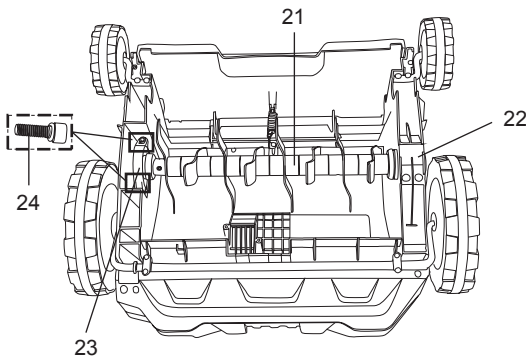
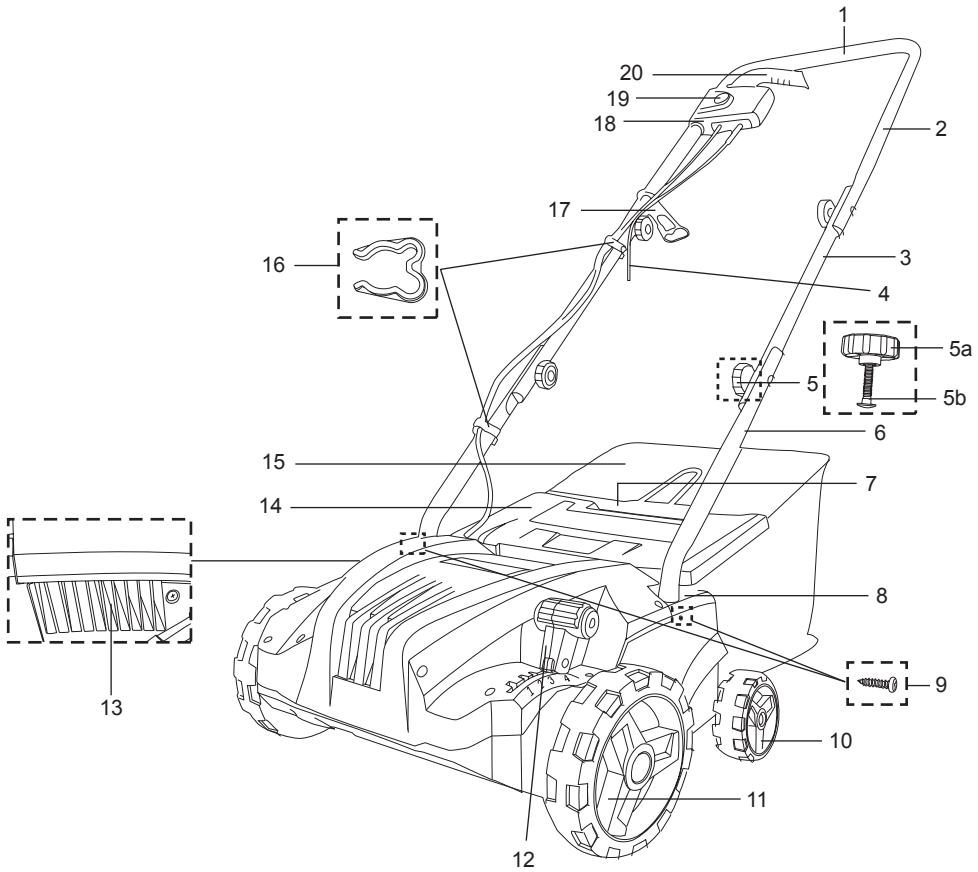


UK Conformity Assessed



WEEE symbol. Waste electrical products should not be disposed of with household waste. Please recycle where facilities exist. Check with your Local Authority or local store for recycling advice.

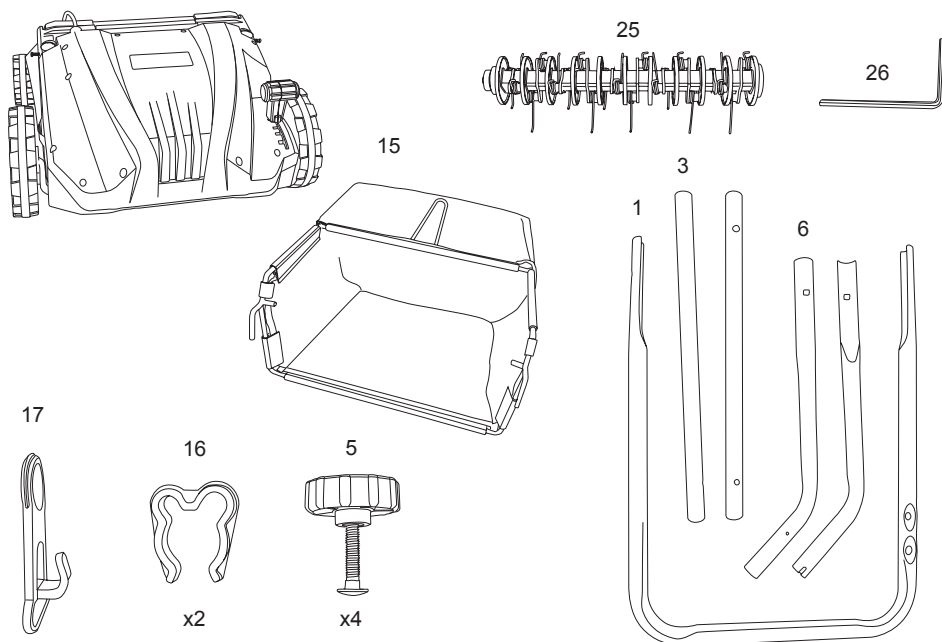
NMRS1500 (NM_Brand Name; RS_Raker & Scarifier)



1. Handle
2. Upper handle bar
3. Middle handle bar
4. Power cord & plug
5. Handle assembly set (x4)
 - a. Locking knob
 - b. Bolt
6. Lower handle bar
7. Grip
8. Support
9. Screw (x2) (pre-assembled)
10. Castor
11. Wheel
12. Depth adjustment lever
13. Air vent
14. Deflector guard
15. Grass catcher
16. Cord clip (x2)
17. Cord strain relief
18. Switch box
19. Lock-off button
20. On/Off lever
21. Cutting device (scarifying cylinder)
22. Drive shaft
23. Bearing seat
24. Cutting device assembly sets
 - a. Bolt
 - b. Spring washer
25. Cutting device (raking cylinder)
26. Hex key 4 mm

All un-assembled parts

Motor



Technical specifications

General :

>	Rated voltage	: 230-240V~, 50Hz
>	Rated input power:	: 1500 W
>	Rated no-load speed	: 3100 / min
>	Max. cutting width	: 320 mm
>	Working height range	: 4 adjustments
	Scarifying	: 4 / -4 / -8 / -12 mm
	Raking	: 10 / 2 / -2 / -6 mm
>	Grass catcher volume	: 28 l
>	Insulation protection class	: <input type="checkbox"/> , class II
>	Water protection class	: IPX4
>	Net weight	: 10.35 kg
>	Sound pressure level L_{pA}	: 84.5 dB(A)
>	Uncertainty K:	: 3 dB(A)
>	Sound power level L_{WA}	: 97.3 dB(A)
>	Uncertainty K	: 1.05 dB(A)
>	Guaranteed power level L_{WA}	: 98 dB(A)
>	Vibration	: 4.265 m/s ²
>	Uncertainty K	: 1.5 m/s ²

The declared vibration value has been measured in accordance with a standard test method and may be used for comparing one tool with another. The declared vibration value may also be used in a preliminary assessment of exposure.



WARNING! The vibration emission value during actual use of the tool can differ from the declared value depending on the ways in which the tool is used. Identify safety measures to protect the operator that are based on an estimation of exposure in the actual conditions of use (taking account of all parts of the operating cycle such as the times when the tool is switched off and when it is running idle in addition to the trigger time). Depending on the actual use of the product the vibration values can differ from the declared total! Adopt proper measures to protect yourself against vibration exposures! Take the whole work process including times the product is running under no load or switched off into consideration! Proper measures include among others regular maintenance and care of the product and application tools, keeping hands warm, periodical breaks and proper planning of work processes!

The sound intensity level for the operator may exceed 80 dB(A) and ear protection measures are necessary.

Unpacking

1. Unpack all parts and lay them on a flat, stable surface.
2. Remove all packing materials and shipping devices if applicable.
3. Make sure the delivery contents are complete and free of any damage. If you find that parts are missing or show damage do not use the product but contact your dealer. Using an incomplete or damaged product represents a hazard to people and property.
4. Ensure that you have all the accessories and tools needed for assembly and operation. This also includes suitable personal protective equipment.

You will need

(items not supplied)

- > Suitable personal protective equipment
- > Crosshead screwdriver

(items supplied)

- > Hex key 4 mm x 1 (26)

Assembly

1. Loosen screws (9) on both side, do not remove completely (Fig. 1).

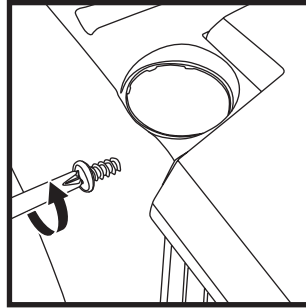


Fig. 1

2. Align the lower handle bars (6) with the supports (8) (Fig. 2). Make sure the holes in the lower handle bars face outwards and secure the bars with one screw (9) to each support (8) (Fig. 3).

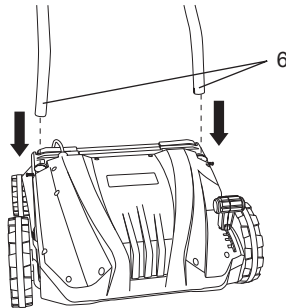


Fig. 2

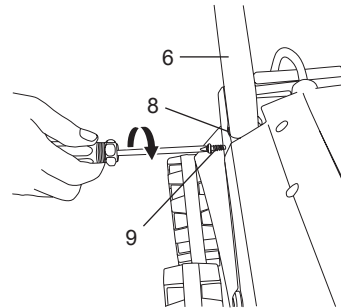


Fig. 3

3. Align the middle handle bars (3) to the lower ones (6). Make sure the holes of the handle bars (3, 6) correspond and secure them with handle assembly set (5) on each side, make sure the locking knob is located inside. (Fig. 4&5).

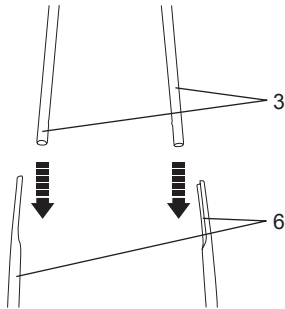


Fig. 4

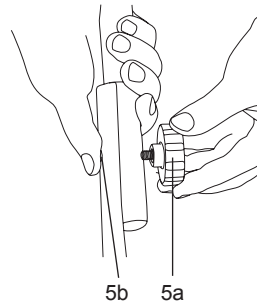


Fig. 5

- Slide the cord strain relief (17) onto the upper handle bar (2) (the side of handle with two holes) before assembly (Fig. 6&7).

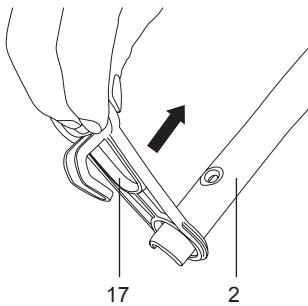


Fig. 6

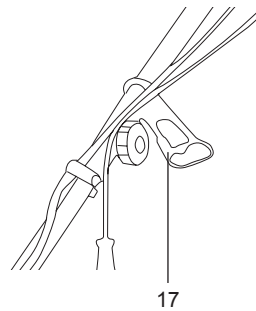


Fig. 7

- Align the upper handle bar (2) with the middle handle bar (3), make sure the two holes are on the right side (Fig. 8). Secure them with handle assembly set (5) with locking knob located inside on each side (Fig. 9).

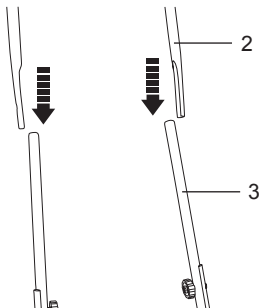


Fig. 8

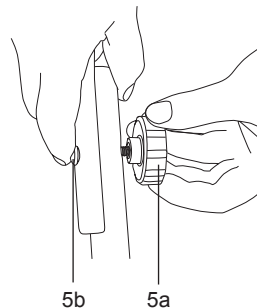


Fig. 9

6. To assemble the switch box (18), first remove the pre-assembled screws on the back cover and keep them on hand. Take down the back cover, and attach switch box (18) onto the upper handle bar (2). Click the back cover into place. Then secure it by tightening the screws (Fig.10&11&12).

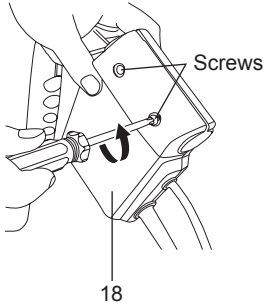


Fig. 10

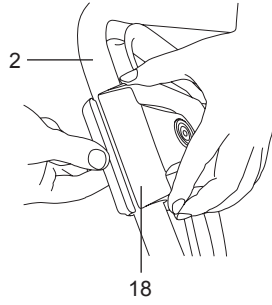


Fig. 11

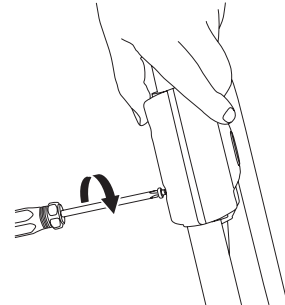


Fig. 12

7. Fix the cord with the cord clips (16) to the handle bar (Fig. 13).

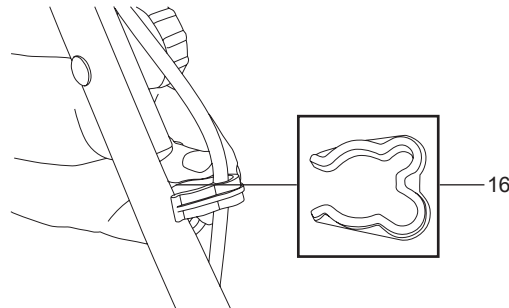


Fig. 13

Grass catcher

Attach the grass catcher (15) to the product before operation.



WARNING! Do not attempt to use the product without the grass catcher attached – danger of flying objects!

1. Before assembly, first attach the 5 plastic clips onto the frame of the grass catcher (15) (Fig.14&15).

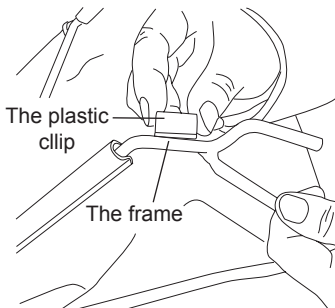


Fig. 14

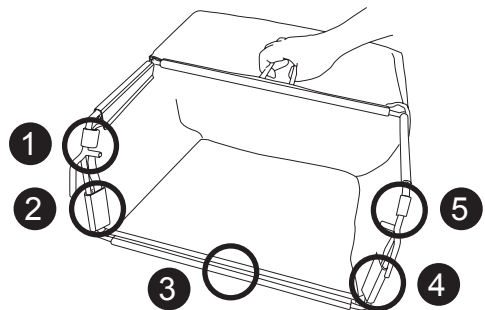


Fig. 15

2. Open the deflector guard (14) by grasping the grip (7), hold it in position and align the hooks on the grass catcher (15) with the supports to hang it onto (Fig. 16).

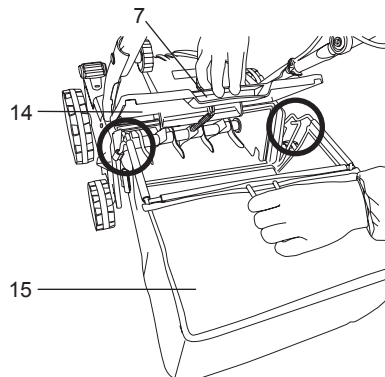


Fig. 16

3. Empty the grass catcher (15) frequently during use. Do not wait until it is completely full. We recommend emptying it when it is half full.



NOTE: A full grass catcher will reduce the performance of this product.

4. Lift the deflector guard (14) and pull the grass catcher (15) off the supports to remove it.
5. Empty the collected material onto a compost heap and reattach the grass catcher (15) onto the product.



WARNING! The motor must be switched off and the cutting device must have stopped rotating before you attach or empty the grass catcher!

Connection to the power supply (for UK only)



WARNING! Always use a residual current supply (RCD) protected supply. If an extension cord is used, make sure the extension cord is specifically designed for outdoor use and not lighter than H05VV-F or H05RN-F, 2x1.0 mm² and max 75 m.

1. Make sure the lock-off button (19) is in its off position..
2. Connect the power plug to a suitable power source.
3. Now your product is ready for use.

Connection to the power supply (not for UK)

For safety reasons the product is equipped with a short power cord (4). Do not connect the product directly to the power supply using this power cord. A proper extension cord is required for operation. Observe the technical requirements for this product when purchasing an extension cord.



WARNING! For your safety, it is required that the product is always supplied by an extension cord! The extension cord must be suitable for outdoor use with a socket protected against water splashing! The extension cord must always be used with the cord strain relief (17)! Always use a residual current supply (RCD) protected supply! It is recommended that appliances should be supplied via a residual current device (RCD) with a tripping current of not more than 30mA

4. Make sure the lock-off button (19) is in its off position.
5. Double the extension cord about 30 cm (12 inches) from the end. Lead the loop through the hole and hook the loop over the cord strain relief (17). Gently pull on the cord to ensure that it is firmly attached (Fig.17&18).

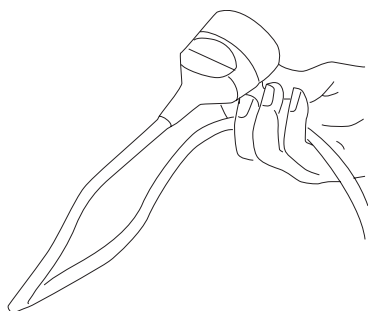


Fig. 17

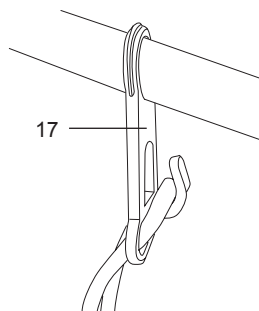


Fig. 18

6. Connect the plug (4) to the socket of the extension cord (Fig.19).

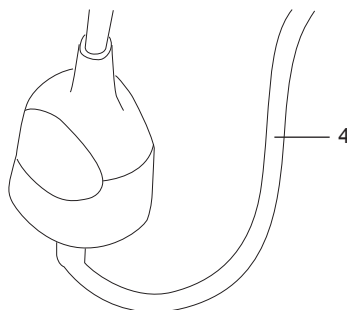


Fig. 19

7. Connect the plug of the extension cable to a suitable power source.



WARNING! Check the voltage! The voltage must comply with the information on the rating label!

8. Your product is now ready to be used.

Intended use

- This raker & scarifier NMRS1500 is designated with a rated input of 1500 Watts. This product is intended for raking and scarifying on the lawns in domestic gardens.
- When used as a scarifier, this product works by scratching through and between the grass with specially adapted prongs that collect and remove any thatch from the lawn whilst leaving the grass blades intact. At the same time the product scarifies the ground resulting in better airing.
- When used as a raker, this product helps to remove the dead matter, moss and weed which disfigures a lawn, so that to avoid a mat of absorbent fibres which prevents water getting through to the ground.
- This product is not to be used in wet weather conditions and may not be used to mow dry, wet or unusually high grass, e. g. pasture grass or for shredding leaves.
- This product is intended for private domestic use only, not for any commercial trade use. It must not be used for any purposes other than those described.



NOTE: Thatch is a build-up of organic materials which can include dead grass or leaves, stems, rhizomes and overcrowded grass roots as well as lateral weed growth. It stifles the growth and health of the lawn. Removing thatch encourages the lawn to thicken up and makes it stronger and less susceptible to disease. Reducing the thatch level increases the levels of water, air and nutrients that can get through to the root zone of the grass plants.

Cutting depth adjustment

Adjust the depth according to the needs of your lawn. The most suitable depth depends on the kind of lawn and the actual height of the grass.

1. Lift up the depth adjustment lever (12), meanwhile move it forward or backward to the desired position, and release it. Make sure it is well seated in the groove on the housing. (Fig.20).

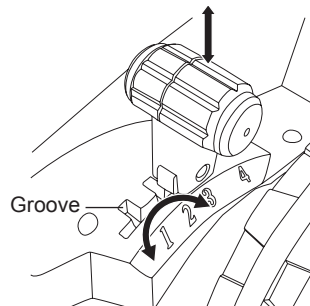


Fig. 20

- Adjust the lever (12) to one out of the four positions. Read the adjusted depth from the scale.

Scale / Position	Setting	Application			
		Depth	Scarifying	Depth	Raking
1	maximum	-12 mm	scarifying an unkempt lawn, removing thick thatch layers	-6 mm	DO NOT use for raking
2	middle	-8 mm	scarifying healthy lawn, removing thicker thatch	-2 mm	raking an unkempt lawn
3	minimum	-4 mm	scarifying healthy lawn, removing thatch	2 mm	raking healthy lawn
4	transport	4 mm	for transportation and storage	10 mm	for transportation and storage

Lock-off button

- Press the lock-off button (19) and press the On/Off lever (20) against the handle (1), hold it in position during operation (Fig. 21).

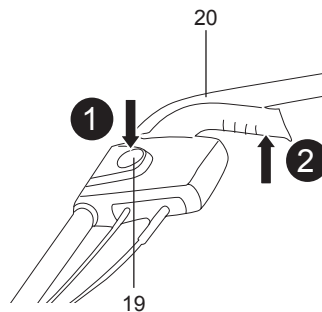


Fig. 21

- Release the On/Off lever (20) to stop the motor.

Cutting device

The product has two functions, raking and scarifying. The scarifying cylinder is pre-assembled on the product.

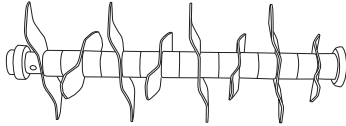


Fig. 22 (Scarifying cylinder with blades)

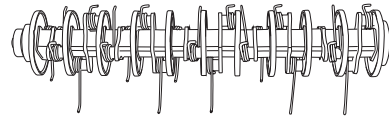


Fig. 23 (Raking cylinder with springs)

Replacing



WARNING! Always switch the product off, disconnect it from power supply and let it cool down before changing replacing the cutting device!



Observe the technical requirements of this product (see section Technical specifications) when purchasing and using cutting devices!



Cutting devices are very sharp and become hot during use! Handle them carefully! Wear safety gloves when handling cutting devices in order to avoid injuries like burns and cuts!

1. Remove the grass catcher (15).
2. Place the product upside down on a flat stable ground to have access to the underbody.
3. Loosen two bolts (24a) with the provided hex key, remove them together with the spring washers (24b) from the bearing seat (23) (Fig. 24).

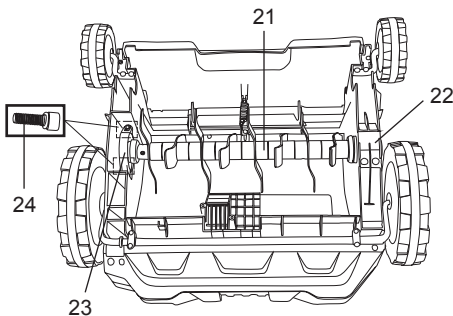


Fig. 24

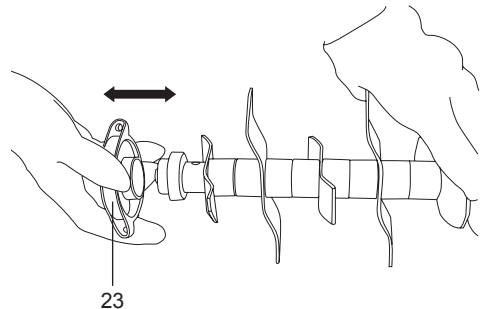


Fig. 25

4. To change the cutting device (21), raise the bearing seat (23) then withdraw the cutting device from the drive shaft.
5. Remove the bearing seat (23) from the cutting device (21), and attach it onto a new one. (Fig. 25)
6. Align and insert the new cutting device: Slide the hex nut (built in the end of the cutting device) into the drive shaft (22) and fix the bearing together with the seat (23) to the support with the bolts (24a) and washers (24b) (Fig. 26).

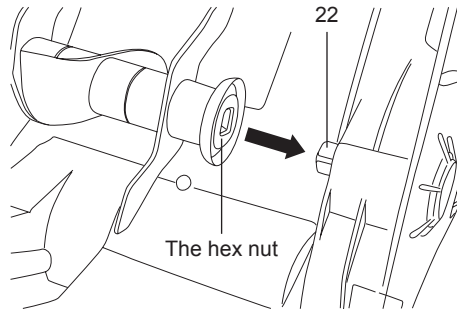


Fig. 26



WARNING! For safety reasons, we recommend having the cutting device replaced by an authorized professional or similar qualified person.



WARNING! Always use an original cutting device recommended by the manufacturer for replacement. Do not attach other types of cutting device.

Overload protection

The overload protection will be activated in the following circumstances:

1. A build up of scarified material around the cutting device.
2. If the material scarified is larger then the motor capacity.
3. Where there is too much resistance against the cutting device.

When the circuit breaker has been activated switch off the product and disconnect from the power supply.

Let the product cool down and eliminate the cause before using the product again.

General operation

1. Check the product, its power cord and plug as well as accessories for damage before each use. Do not use the product if it is damaged or shows wear.
2. Double check that accessories are properly fixed.
3. Push the product forward by its handle. Keep the handle dry to ensure safe support.
4. Ensure that the air vents are always unobstructed and clear. Clean them if necessary with a soft brush. Blocked air vents may lead to overheating and damage the product.
5. Switch the product off immediately if you are disturbed while working by other people entering the working area. Always let the product come to complete stop before putting it down.
6. Do not overwork yourself. Take regular breaks to ensure you can concentrate on the work and have full control over the product.



WARNING! In some countries regulations define at what time of the day and on what special days products are allowed to be used and what restrictions apply! Ask your community for detailed information and observe the regulations in order to preserve a peaceful neighbourhood and avoid committing administrative offences!

7. Mow the lawn before working and fertilise afterwards.
8. Make sure that the lawn is clear of stones, sticks, wire or other objects that could damage the product or its motor.
9. Select the suitable cutting depth for the actual grass height.
10. Do not work with this product on a wet lawn because it tends to stick to the underbody of the product, preventing the proper discharge of collected material, and it could also cause you to slip and fall.
11. Slowly push the product forward. Move the product at an appropriate speed. Do not move it too fast as this will prevent the discharge opening from getting blocked and the motor from becoming overloaded.
12. Work in slight overlapping rows. The most effective pattern for scarifying lawns is straight lines along one of the sides. This will keep the rows even and ensures that all the lawn is scarified without missing any spots (Fig. 27).

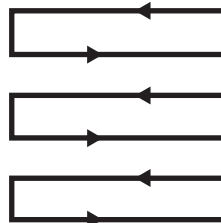


Fig. 27

13. Circle around flower beds. When reaching a flower bed in the middle of the lawn, make a row or two around the circumference of the bed.
14. Pay special attention when changing direction.



WARNING! If the product strikes a foreign object stop the motor! Switch the product off, disconnect it from the power supply and let it cool down. Inspect the product thoroughly for damage! Have any damage repaired before restarting!



Extensive vibration of the product during operation is an indication of damage! The product should be promptly inspected and repaired!

Scarifying

Consider the weather when scarifying. Scarify the lawn with an increased depth setting during spring time between April and May as the lawn is better able to recover during this season. During a wet summer scarify again in late summer with a decreased depth setting. Do not scarify during periods of hot weather condition. During a dry rainless summer do not scarify a second time in autumn.

Raking

In order that a healthy lawn can develop in the spring, it is necessary for greater amounts of air to penetrate the area around the roots of the grass. We recommend aerate the lawn every 4 - 6 weeks depending on the state of your lawn.

After use

1. Switch the product off, disconnect it from the power supply and let it cool down.
2. Check, clean and store the product as described below.

The golden rules for care



WARNING! Always switch the product off, disconnect it from power supply and let the product cool down before performing inspection, maintenance and cleaning work!



1. Keep the product clean. Remove debris from it after each use and before storage.
2. Regular and proper cleaning will help ensure safe use and prolong the life of the product.
3. Inspect the product before each use for worn and damaged parts. Do not operate it if you find broken and worn parts.



WARNING! Only perform repairs and maintenance work according to these instructions! All further works must be performed by a qualified specialist!

General cleaning

1. Clean the product with a dry cloth. Use a brush for areas that are hard to reach.
2. In particular clean the air vents (9) after every use with a cloth and brush.
3. Remove stubborn dirt with high pressure air (max. 3 bar).



NOTE: Do not use chemical, alkaline, abrasive or other aggressive detergents or disinfectants to clean this product as they might be harmful to its surfaces.

4. Check for worn or damaged parts. Replace worn parts as necessary or contact an authorised service centre for repair before using the product again.

Underbody and cutting device



WARNING! Wear safety gloves when working on the cutting device and close to it! Use proper tools to remove debris, e. g. a wooden stick! Never use your bare hands!



1. Keep the underbody and cutting device (21) clean and free of debris.
2. All screws, nuts and bolts must be checked periodically for tightness before operation. After prolonged use, especially in sandy soil conditions, the cutting device will become worn and lose some of the original shape. Cutting efficiency will be reduced and the cutting device should be replaced.

3. Keep the cutting device (21) sharp to ensure a good cutting performance. Have a worn cutting device replaced with one of the same type by a qualified specialist.

Grass catcher

1. Inspect the grass catcher (15) before each use. Do not use it if you find any damage.
2. Clean the grass catcher (15) after operation. Let the grass catcher dry thoroughly before storing to avoid mildew.

Spare parts / Replacement parts

The following parts of this product may be replaced by the consumer. Spare parts are available at manufacturer or an authorised dealer.

Description	Model no. or Specification
Scarifying cylinder	WR6002-1500-201
Raking cylinder	WR6002-1500-202

Power cord

1. If the power cord is damaged, it must be replaced by the manufacturer, its service agent or similarly qualified persons in order to avoid a safety hazard.
2. It is recommended that appliances should be supplied via a residual current device (RCD) with a tripping current of not more than 30 mA.

Plug replacement (for UK only)

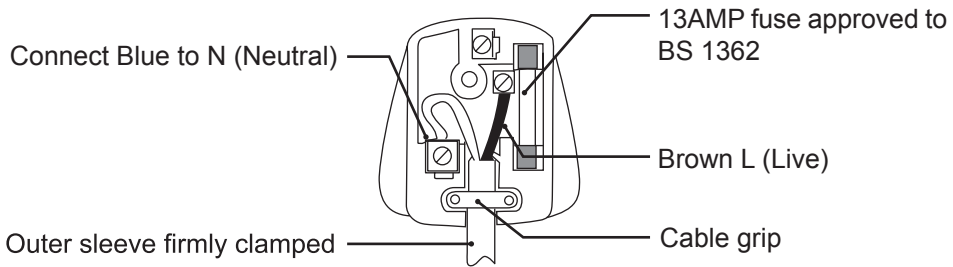
If you need to replace the fitted plug, then follow the instructions below.

IMPORTANT: The wires in the mains lead are coloured in accordance with the following code:

Blue – Neutral Brown – Live

As the colours of the wire in the mains lead of this product may not correspond with the coloured marking identifying the terminals in your plug, proceed as follows. The wire, which is coloured blue, must be connected to the terminal, which is marked with N or coloured black.

The wire, which is coloured brown, must be connected to the terminal, which is marked L or coloured red.



WARNING! Never connect live or neutral wires to the earth terminal of the plug.

Only fit an approved 13 Amp BS 1363 or BS 1363/A plug and the correctly rated fuse. If in doubt, consult a qualified electrician.



NOTE: If a moulded plug is fitted and has to be removed take great care in disposing of the plug and severed cable, it must be destroyed to prevent engaging into a socket.

Repair

This product does not contain any parts that can be repaired by the consumer. Contact a qualified specialist to have it checked and repaired.

Storage

1. Clean the product as described above.
2. Store the product and its accessories in a dry, frost-free place.
3. Always store the product in a place that is inaccessible to children. The ideal storage temperature is between 10 and 30°C.
4. We recommend using the original package for storage or covering the product with a suitable cloth or enclosure to protect it against dust.

Transportation

1. Switch the product off and disconnect it from power supply before transporting it anywhere.
2. Attach transportation guards, if applicable.
3. Adjust the cutting depth to the transportation stage (refer to “Product functions – Cutting depth adjustment”).
4. Always transport the product by its handle.
5. Protect the product from any heavy impact or strong vibrations which may occur during transportation in vehicles.
6. Secure the product to prevent it from slipping or falling over.

Troubleshooting

Suspected malfunctions are often due to causes that the users can fix themselves. Therefore check the product using this section. In most cases the problem can be solved quickly.



WARNING! Only perform the steps described within these instructions! All further inspection, maintenance and repair work must be performed by an authorised service centre or a similarly qualified specialist if you cannot solve the problem yourself!

Problem	Possible cause	Solution
1. Product does not start	1.1. Not connected to power supply	1.1. Connect to power supply
	1.2. Power cord or plug is defective	1.2. Check by a specialist electrician
	1.3. Other electrical defect to the product	1.3. Check by a specialist electrician
	1.4. Lock-off button not pressed	1.4. Press lock-off button first, then the On/Off lever

2. Product does not reach full power	2.1. Extension cord not suitable for operation with this product	2.1. Use a proper extension cord
	2.2. Power source (e.g. generator) has too low voltage	2.2. Connect to another power source
	2.3. Air vents are blocked	2.3. Clean the air vents
3. Poor result	3.1. Cutting device is dull/damaged	3.1. Replace with a new one
	3.2. Scarified/raked material exceeds capacity	3.2. Only scarify/rake materials according to capacity of the product
	3.3. Scarifying/raking depth is incorrect	3.3. Adjust depth

Recycling and disposal



Waste electrical products should not be disposed of with household waste. Please recycle where facilities exist. Check with your Local Authority or local store for recycling advice.

For further information visit www.recycle-more.co.uk.

The product comes in a package that protects it against damage during shipping. Keep the package until you are sure that all parts have been delivered and the product is working properly. Recycle the package afterwards.

Guarantee

We take special care to select high quality materials and use manufacturing techniques that allow us to create products incorporating design and durability. This product has a manufacturer's guarantee of 2 years against manufacturing defects, from the date of purchase (if bought in store) or date of delivery (if bought online), at no additional cost for normal (non-professional or commercial) household use.

To make a claim under this guarantee, you must present your proof of purchase (such as a sales receipt, purchase invoice or other evidence admissible under applicable law), please keep your proof of purchase in a safe place. For this guarantee to apply, the product you purchased must be new, it will not apply to second hand or display products. Unless stated otherwise by applicable law, any replacement product issued under this guarantee will only be guaranteed until expiry of the original period guarantee period.

This guarantee covers product failures and malfunctions provided the product was used for the purpose for which it is intended and subject to installation, cleaning, care and maintenance in accordance with the information contained in these terms and conditions, in the user manual and standard practice, provided that standard practice does not conflict with the user manual.

This guarantee does not cover defects and damage caused by normal wear and tear or damage that could be the result of improper use, faulty installation or assembly, neglect, accident, misuse, or modification of the product. Unless stated otherwise by applicable law, this guarantee will not cover, in any case, ancillary costs (shipping, movement, costs of uninstalling and reinstalling, labour etc), or direct and indirect damage.

This guarantee does not cover defects and damage caused by or resulting from:

- Normal wear and tear
- Overload, misuse or neglect
- Repairs attempted by anyone other than an authorised agent
- Cosmetic damage
- Damage caused by foreign objects, substances or accidents
- Accidental damage or modification
- Failure to follow manufacturer's guidelines
- Loss of use of the goods

If this product is defective, we will, within a reasonable time, repair, replace or provide spare parts.

Rights under this guarantee are enforceable in the country in which you purchased this product. Guarantee related queries should be addressed to the store you purchased this product from.

The guarantee is in addition to and does not affect your statutory rights.





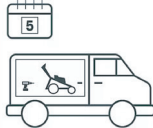
IMPORTANT - RETAIN THIS INFORMATION FOR FUTURE REFERENCE: READ CAREFULLY

Customer care and technical helpline

A better way to repair your tools

Kingfisher takes special care in creating high-quality garden power tools that are designed to last. But if a fault develops with your garden power tool and you need to claim under the guarantee, the Customer Care and Technical Helpline can support with technical assistance or if required, arrange a free courier collection from your home, assess your garden power tool for fault, repair it, and return it.

Deciding to repair your product rather than buying a replacement and adding to the mountain of waste is a more sustainable choice and you will be doing your bit for the environment.

How does it work?				
				
Step 1	Step 2	Step 3	Step 4	Step 5
Find your proof of purchase and get in touch with the Customer Care and Technical Helpline.	Chat to them about the problem with your tool.	They will provide technical and user advice or alternatively arrange a courier collection from your home.*	The team will assess and test and if necessary, repair your product back to full working order.	Your repaired tool will be returned to you via courier within 5 working days*.

Get in touch

If you need help or more information, please contact the Customer Care and Technical Helpline:

UK: 0800 0789647

Eire: 1800 932226

Opening hours are Monday – Friday, 8am-5pm

Availability of spare parts

Contact the customer service helpline for assistance or visit www.kingfishersparses.com


For assistance contact the customer services helpline:


UK 0800 0789647 uk@Kingfisherservice.com



EIRE 1800 932226 eire@kingfisherservice.com

Further information about this product can also be found at:

www.kingfisher.com/products

 (EN) EU DECLARATION OF CONFORMITY (FR) DÉCLARATION UE DE CONFORMITÉ (PL) DEKLARACJA ZGODNOŚCI UE (RO) DECLARAȚIA DE CONFORMITATE UE (ES) DECLARACIÓN UE DE CONFORMIDAD (PT) DECLARAÇÃO DE CONFORMIDADE UE	
Product/ Produit/ Produkt/Produsul/Producto/Produto <ul style="list-style-type: none"> Raker & scarifier 1500W/ Scarificateur démousseur flaire 1500W/ Aerator i wertykulator elektryczny 1500W/ Scarificator și aerator electric 1500W/ Aireador y escaficador con cable 1500W/ Arejador escaficador com fios 1500W/ Kablo lu tirmik ve havalandirma makinesi 1500W NMRS1500 Serial number range 000001 to 999999 	
Name and address of the manufacturer or his authorised representative: Nom et adresse du fabricant ou de son mandataire: Nazwa i adres producenta lub jego upoważnionego przedstawiciela: Denumirea și adresa producătorului sau a reprezentantului său autorizat: Nombre y dirección del fabricante o de su representante autorizado: Nome e endereço do fabricante ou do respetivo mandatário: <p style="text-align: center;">Kingfisher International Products B.V., Rapenburgerstraat 175E, 1011 VM Amsterdam, The Netherlands</p>	
This declaration of conformity is issued under the sole responsibility of the manufacturer. La présente déclaration de conformité est établie sous la seule responsabilité du fabricant. Niniejsza deklaracja zgodności wydana zostaje na wyłączną odpowiedzialność producenta. Prezenta declarație de conformitate este emisă pe răspunderea exclusivă a producătorului. La presente declaración de conformidad se expide bajo la exclusiva responsabilidad del fabricante. A presente declaração de conformidade é emitida sob a exclusiva responsabilidade do fabricante.	
Object of the declaration/Objet de la déclaration/Przedmiot deklaracji/Obiectul declarației/Objeto de la declaración/Objeto da declaração	
Product/Produit/Produkt/Produsul/Producto/Produto Raker & scarifier 1500W/ Scarificateur démousseur flaire 1500W/ Aerator i wertykulator elektryczny 1500W/ Scarificator și aerator electric 1500W/ Aireador y escaficador con cable 1500W/ Arejador escaficador com fios 1500W/ Kablo lu tirmik ve havalandirma makinesi 1500W	Model/Modèle/Model/Modelo/Modelo/Modelo NMRS1500 EAN 3663602627173 (UK) 3663602627203 (EU)
The object of the declaration described above is in conformity with the relevant Union harmonisation legislation: L'objet de la déclaration décrit ci-dessus est conforme à la législation d'harmonisation de l'Union applicable: Wymieniony powyżej przedmiot niniejszej deklaracji jest zgodny z odpowiednimi wymaganiami unijnego prawodawstwa harmonizacyjnego: Obiectul declarației descris mai sus este în conformitate cu legislația relevantă de armonizare a Uniunii: El objeto de la declaración descrita anteriormente es conforme con la legislación de armonización pertinente de la Unión: O objeto da declaração acima descrito está em conformidade com a legislação de harmonização da União aplicável:	
2006/42/EC as amended Machinery Directive 2014/30/EU as amended Directive Electromagnetic compatibility 2000/14/EC as amended Outdoor Noise Directive 2011/65/UE as amended Directive Restriction of the use of certain hazardous substances in electrical and electronic equipment Directive 2006/42/CE relative aux machines 2014/30 / UE telle que modifiée Directive Compatibilité électromagnétique Directive 2000/14/CE relative aux émissions sonores extérieures Directive 2011/65/UE relative à la limitation de l'utilisation de certaines substances dangereuses dans les équipements électriques et électroniques 2006/42/WE w zmienionej dyrektywie maszynowej 2014/30 / UE ze zmianami Dyrektywa Kompatybilność elektromagnetyczna 2000/14/WE w zmienionej dyrektywie w sprawie hałasu na zewnątrz 2011/65 / UE ze zmianami Dyrektywa Ograniczenie stosowania niektórych niebezpiecznych substancji w sprzęcie elektrycznym i elektronicznym 2006/42/CE, astfel a fost modificată Directiva privind echipamentele 2014/30/UE, astfel a fost modificată Directiva privind compatibilitatea electromagnetică 2000/14/CE, astfel a fost modificată Directiva privind zgomotul în aer liber 2011/65/UE, astfel a fost modificată Directiva privind limitarea utilizării anumitor substanțe periculoase în echipamentele electrice și electronice Directiva sobre maquinaria modificada 2006/42/CE 2014/30/UE modificada Directiva Compatibilidad electromagnética 2000/14/CE modificada Directiva sobre ruido al aire libre 2011/65/UE modificada Directiva Restricción del uso de determinadas sustancias peligrosas en equipos eléctricos y electrónicos	

<p>2006/42/CE como diretiva de máquinas alteradas 2014/30/UE como alteração da compatibilidade eletromagnética 2000/14/CE como diretiva de ruído exterior alterada 2011/65/UE como restrição diretiva alterada da utilização de certas substâncias perigosas em equipamentos elétricos e eletrônicos</p>	
<p>Measured Sound Power Level Le niveau de puissance acoustique mesuré Zmierzony poziom mocy akustycznej Nivel de putere acustică măsurată Nivel de potencia sonora medido Nivel de potência sonora medido : 97.3 dB(A)</p>	<p>Guaranteed Sound Power Level Le niveau de puissance acoustique garant Gwarantowany poziom mocy akustycznej Nivel de putere acustică garantat Nivel de potencia sonora garantizado Nivel de potência sonora garantido : 98 dB(A)</p>
<p>References to the relevant harmonised standards used or references to the other technical specifications in relation to which conformity is declared: Références des normes harmonisées pertinentes appliquées, y compris la date de celles-ci, ou des autres spécifications techniques, y compris la date de celles-ci, par rapport auxquelles la conformité est déclarée: Odwołania do odnośnych norm zharmonizowanych, które zastosowano, wraz z datą normy, lub do innych specyfikacji technicznych, wraz z datą specyfikacji, w odniesieniu do których deklarowana jest zgodność: Trimiteri la standardele armonizate relevante folosite, inclusiv data standardului, sau trimeri la celelalte specificații tehnice, inclusiv data specificațiilor, în legătură cu care se declară conformitatea: Referencias a las normas armonizadas pertinentes utilizadas, incluidas las fechas de las normas, o referencias a las otras especificaciones técnicas, incluidas las fechas de las especificaciones, respecto a las cuales se declara la conformidad: Referências às normas harmonizadas aplicáveis utilizadas, incluindo a data da norma, ou às outras especificações técnicas, incluindo a data da especificação, em relação às quais é declarada a conformidade:</p>	
<p>EN 60335-1:2012+A11+A13+A14+A2+A15 EN 50636-2-92:2014 EN 62233:2008 EN IEC 55014-1:2021 EN IEC 55014-2:2021 EN IEC 61000-3-2:2019+A1 EN 61000-3-3:2013+A1+A2 EN ISO 3744:1995</p>	
<p>Authorised signatory and technical file holder/signataire et responsable de la documentation technique autorisé/ podmiot uprawniony do wystawienia i adres prezechowywania dokumentacji technicznej/semnatar autorizat și deținător al dosarului tehnic/firmante autorizado y titular del expediente tecnico/ signatário autorizado e detentor da ficha técnica</p>	
<p>Kingfisher International Products B.V., Rapenburgerstraat 175E, 1011 VM Amsterdam, The Netherlands</p>	
	
<p>David Awe Group Quality Director</p>	<p>: [04/04/2023]</p>

 (UK) DECLARATION OF CONFORMITY		
Product		
<ul style="list-style-type: none"> • Raker & Scarifier 1500W • NMRS1500 • Serial number range 000001 to 999999 		
Name and address of the manufacturer or his authorised representative:		
Kingfisher International Products Limited 1 Paddington Square London W2 1GG United Kingdom		
This declaration of conformity is issued under the sole responsibility of the manufacturer.		
Object of the declaration		
Product	Model	EAN
Raker & Scarifier 1500W	NMRS1500	3663602627173
The object of the declaration described above is in conformity with the relevant legislation:		
Supply of Machinery (Safety) Regulations 2008 as amended Noise Emission in the Environment by Equipment for Use Outdoors Regulations 2001 as amended Electromagnetic Compatibility Regulations 2016 as amended The Restriction of the use of Certain Hazardous Substances in Electrical and Electronic Equipment Regulations 2012 as amended Measured Sound Power Level: 97.30 dB(A) Guaranteed Sound Power Level: 98 dB(A)		
References to the relevant designated standards used or references to the other technical specifications in relation to which conformity is declared:		
EN 60335-1:2012+A11+A13+A14+A2+A15 EN 50636-2-92:2014 EN 62233:2008 BS EN IEC 55014-1:2021 BS EN IEC 55014-2:2021 BS EN 61000-3-3:2013+A2 BS EN IEC 61000-3-2:2019+A1 EN ISO 3744:1995		
Authorised signatory and technical file holder:		
Kingfisher International Products Limited 1 Paddington Square London W2 1GG United Kingdom  David Awe Group Quality Director		
		On [04/04/2023]


Manufacturer:

UK Manufacturer:

Kingfisher International Products Limited
1 Paddington Square, London, W2 1GG,
United Kingdom

EU Manufacturer:

Kingfisher International Products B.V.
Rapenburgerstraat 175E 1011 VM Amsterdam
The Netherlands

 www.diy.com
www.screwfix.com
www.screwfix.ie

To view instruction manuals online,
visit www.kingfisher.com/products